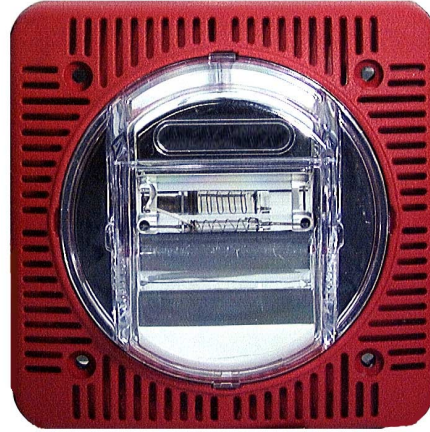




SG-CXSN



SG-CXSS Series

The NATIONAL TIME CX Series speaker and strobe /speaker are designed to meet the code requirements for audio, visual and voice communications.

The CX Series speaker provides 25 and 70.7 VRMS speaker output with field selectable power taps of 1/8W, 1/4W, 1/2W, 1W, 2W or 4W

The CX Series strobe provides a low operating current and a minimum flash rate of 1Hz across the rated input voltage range. The CX candela intensity can be ordered in 15CD, 30CD, 60CD, 75CD or 110CD ratings.

The strobe component of the CX Series operates from the synchronized outputs on the National Time Synchronized Series, Fire Alarm Control Panel or Notification Appliance Control Panel or from the Remote Power Supply providing individual synchronized horn and strobe operation on the same 2 wires. The strobe can be rotated on the face of the speaker so the speaker can accommodate conduit and field wiring.

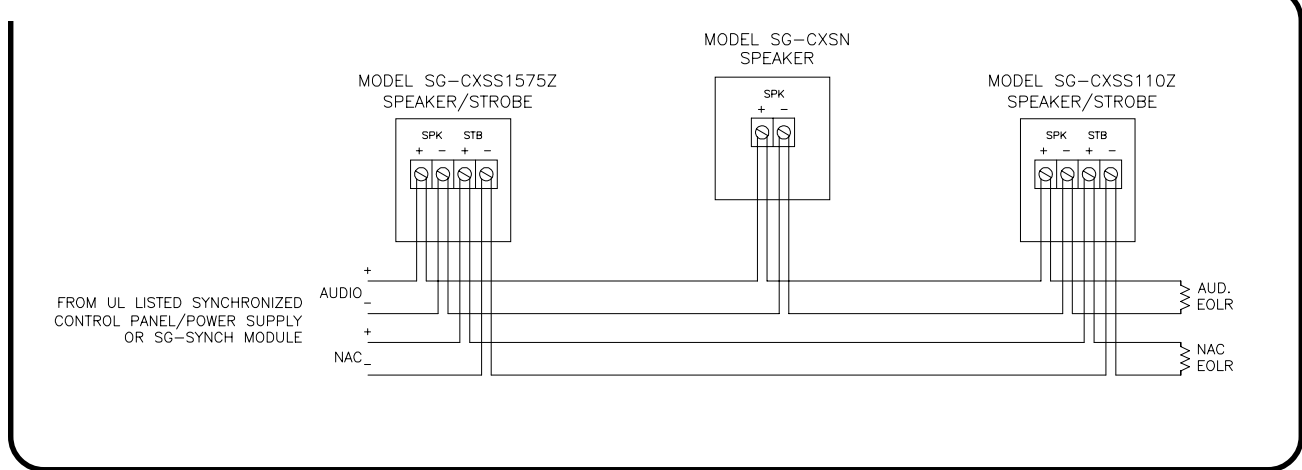
The CX Synchronized Series will mount to a 4" square (2 1/8) deep backbox for flush mount appliances or for surface mount applications use Wiremold model #R5753 or equivalent.

The CX Series appliances are UL 1480 and UL 1971 listed for use with fire protective systems.

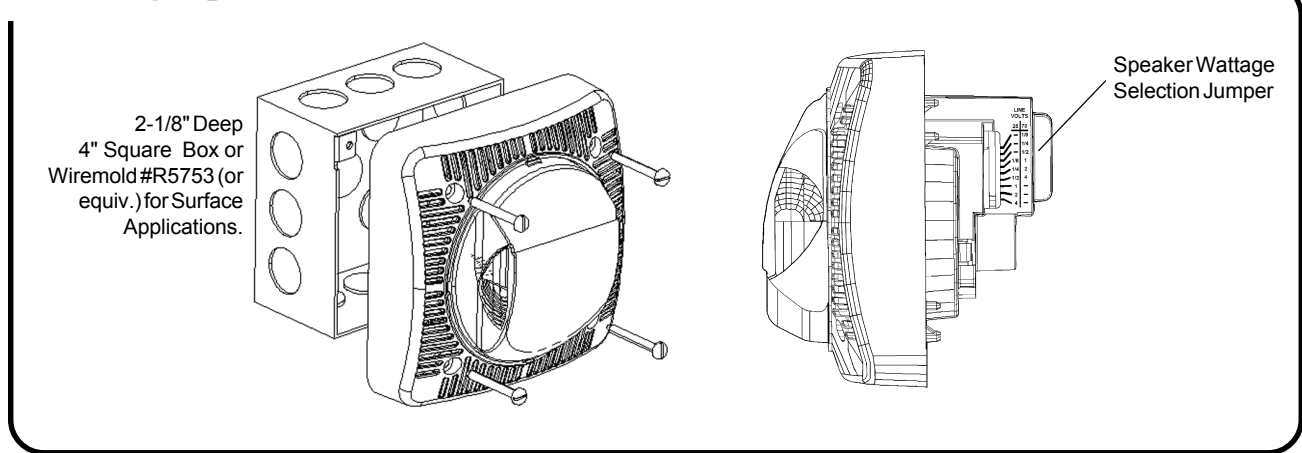
FEATURES

- Low Operating Current
- Easy Installation
- Convenient Test Operation
- Tamperproof Grill
- Selectable Voltage
- Selectable Power taps
- Input Terminals 12 to 18 AWG
- Strobe Synchronization
- ADA Compliant; NFPA 72
- U.L. Listed

Wiring Diagrams



Mounting Options



Ordering Information

Model Number	Nominal Voltage	Candela	Strobe Current		Rated Watts Selection (@ 25V & 70.7V)
			24 Vdc	20 Vdc	
SG-CXSS15Z	24 Vdc	15	54mA	65mA	1/8, 1/4, 1/2, 1, 2, 4
SG-CXSS1575Z	"	15/75	107mA	137mA	1/8, 1/4, 1/2, 1, 2, 4
SG-CXSS30Z	"	30	70mA	84mA	1/8, 1/4, 1/2, 1, 2, 4
SG-CXSS60Z	"	60	93mA	132mA	1/8, 1/4, 1/2, 1, 2, 4
SG-CXSS75Z	"	75	107mA	137mA	1/8, 1/4, 1/2, 1, 2, 4
SG-CXSS110Z	"	110	136mA	180mA	1/8, 1/4, 1/2, 1, 2, 4
SG-CXSN	NA	-	-	-	1/8, 1/4, 1/2, 1, 2, 4

When ordering, please specify style by adding the following to the end of the model number: "WH" = White Version
24VDC Models operate from 16 -33VDC

Model	Wattage Rating	dBA @ 10 Feet Per UL 1480
SG-CX Series Speaker	1/8	75
SG-CX Series Speaker	1/4	78
SG-CX Series Speaker	1/2	81
SG-CX Series Speaker	1	84
SG-CX Series Speaker	2	87
SG-CX Series Speaker	4	90